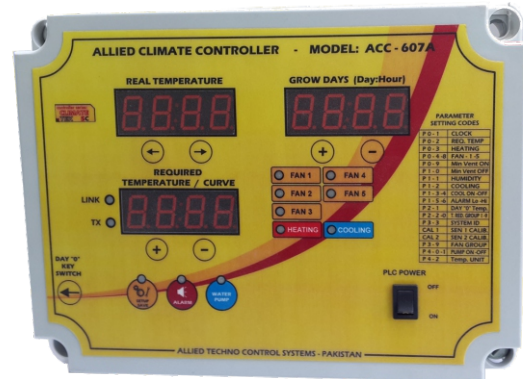


# POULTRY AND FARM HOUSES CLIMATE CONTROLLER

## KEY FEATURES

- Suitable for Five Fan Poultry / Milking Farm House Control Shed Climate Control
- External Heating and Cooling System Control
- DC or AC Control outputs both Available
- Easy Temperature Calibration Function
- Communication Port for Temp. Data Log and event Log on PC Software
- Controller uses most Advance CPU for Monitoring and Control
- All Outputs Indication at front panel for easy understand System Working
- High / Low Sensor Alarms
- RTD Temp. Sensor Probe Interface with 1% accuracy
- High Visibility, Large Red Segment Display with high speed flicker free scanning
- Sensor Faults Indication and Sound Buzzer
- Solid State Control No Mechanical Part
- Touch Push and Splash Proof Front
- Accurate and Highly Stable, User Friendly Operation
- Easy replacement & Installation



NOTE:  
We can modify or add any function according to your machine Hardware, also modify Front sticker according to your company name and color.

**MODEL: ACC-607A**



MANUFACTURE AND DESIGNED BY:

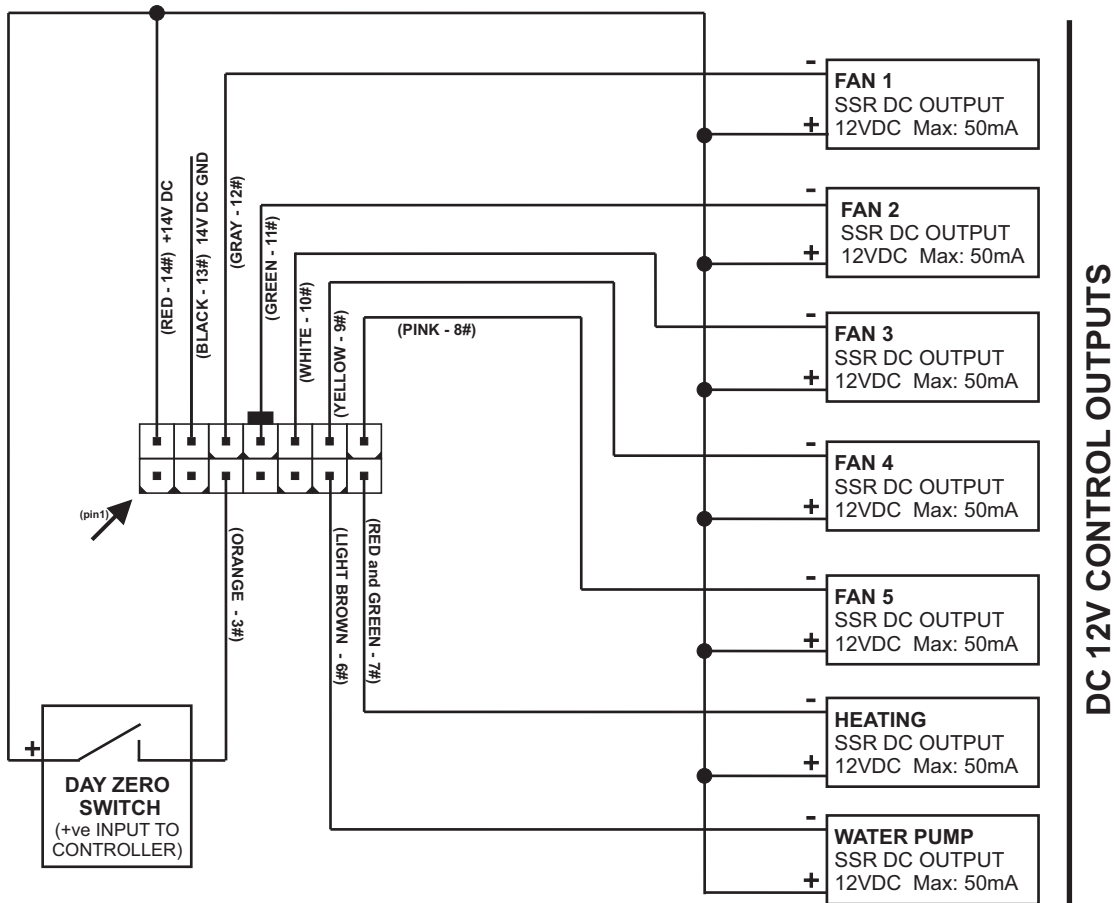
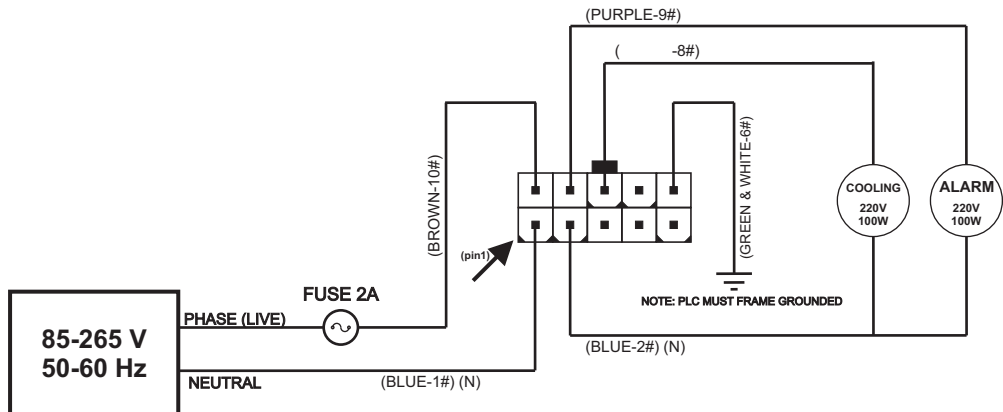


**ALLIED TECHNO CONTROL SYSTEMS**  
JHUMRA ROAD, MANSOORABAD,  
FAISALABAD, PAKISTAN-38000.  
allidtechnologist@gmail.com

## SPECIFICATIONS

<b>Controller Series</b>	CH-1 Series	
<b>Dimensions</b>	320x240x135 mm , weight 2000g (approx)	
<b>Panel Cutout</b>	CH-1 Drill Pattern # 1	
<b>Terminal Connection</b>	General Wiring Included	
<b>Voltage (only control circuit)</b>	90 to 260 VAC - 6VA maximum 50-60Hz	
<b>Operating Environment</b>	5 to 50°C , humidity: 10 to 85% RH, non-condensing	
<b>Instrument Case</b>	Flame-Retardant Circuit Board (UL94) - ABS plastic case	
<b>Warm-up Time</b>	< 30 Seconds	
<b>Input</b>	<b>Display Resolution</b>	0.1°F (RTD 2.252K @ 25C)
	<b>Input Sample Rate</b>	100 mSec
	<b>Accuracy</b>	RTD K2252 Temp. Probe , 1% of span $\pm 0.1^\circ\text{F} \pm 0.1$ digit
	<b>Impedance</b>	>1 M
<b>Output</b>	<b>Pt100 Measurement</b>	N/A
	<b>Resistive</b> <b>Inductive</b>	7x Solid State DC 12V Outputs or AC 240V Outputs

# CH 1 SERIES CLIMATE CONTROL WIRING V1.0



CH-1 SERIES CONTROLLER  
(CLIMATE CONTROLLER)

MODEL: ACC-607A V1.0