

EGG HATCHER CONTROLLER

KEY FEATURES

- CH1 Series Controller is suitable for Egg Hatcher Oven Climate Control
- One Heating and One Humidity Controller
- Data Logger Thermal Printer Interface
- Communication Port for Temp. Data Log and event Log on PC Software
- Controller uses most Advance CPU for Monitoring and Control in micro seconds
- All Outputs Indication at front panel for easy understand System Working
- High / Low Heating and Sensor Alarms
- Alarm Manual Test Push
- RTD Temp. Sensor Probe Interface with 1% accuracy
- High Visibility, Large Red Segment Display with high speed flicker free scanning
- Sensor Faults Indication and Sound Buzzer
- Solid State Control No Mechanical Part
- Touch Push and Splash Proof Front
- Accurate and Highly Stable, User Friendly Operation
- Easy replacement & Installation
(Wiring included)



NOTE:
We can modify or add any function according to your machine Hardware, also modify Front sticker according to your company name and color.

MODEL: CH1-H2



MANUFACTURE AND DESIGNED BY:

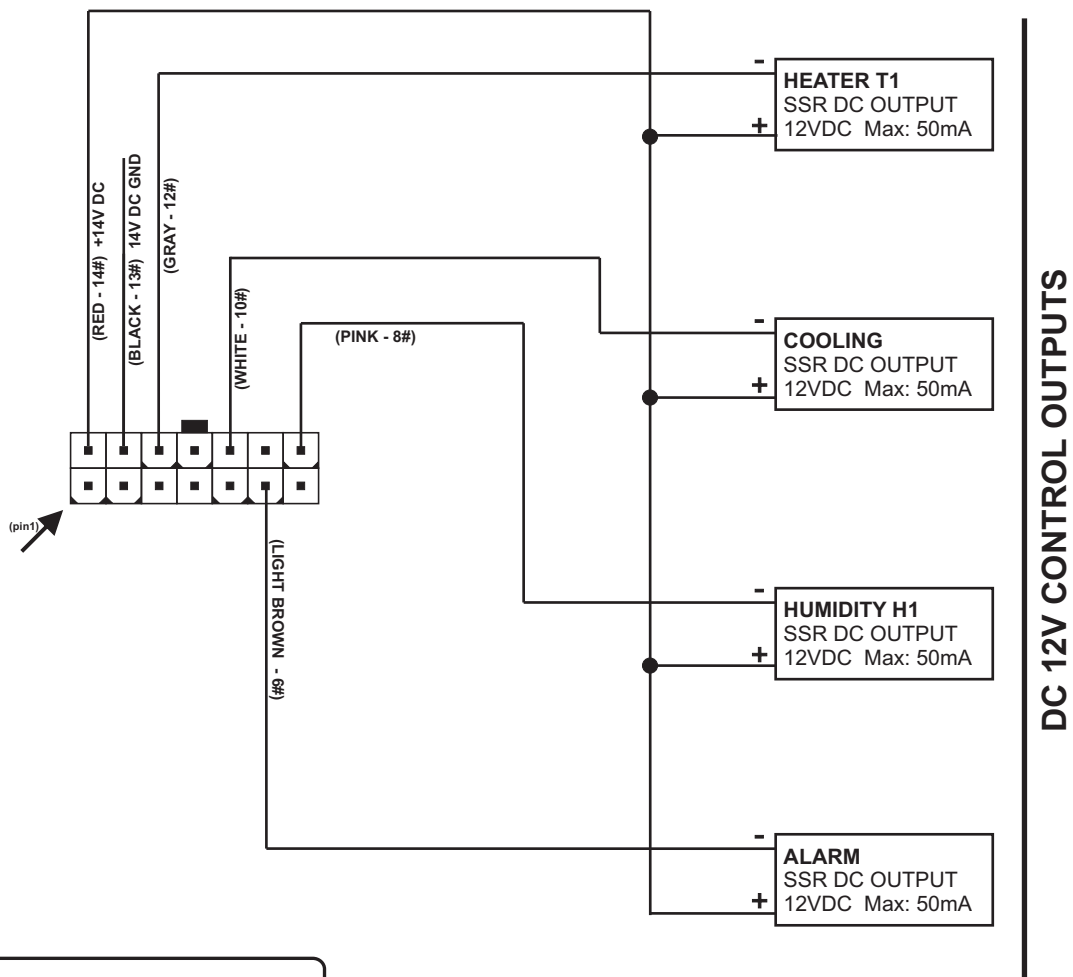
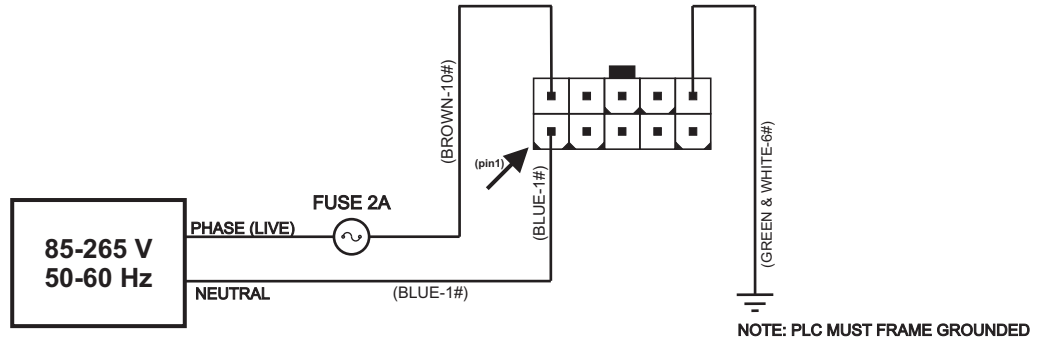


ALLIED TECHNO CONTROL SYSTEMS
JHUMRA ROAD, MANSOORABAD,
FAISALABAD, PAKISTAN-38000.
alliedtechnologist@gmail.com

SPECIFICATIONS

Controller Series	CH 1 Series	
Dimensions	320x240x135 mm , weight 2000g (approx)	
Panel Cutout	CH-1 Drill Pattern # 1	
Terminal Connection	General Wiring Included	
Voltage (only control circuit)	90 to 260 VAC - 6VA maximum 50-60Hz	
Operating Environment	5 to 50°C , humidity: 10 to 85% RH, non-condensing	
Instrument Case	Flame-Retardant Circuit Board (UL94) - ABS plastic case	
Warm-up Time	< 30 Seconds	
Input	Display Resolution	0.1°F (YSI400 RTD 2.252K)
	Input Sample Rate	100 mSec
	Accuracy	RTD YSI400 Temp. Probe , 1% of span $\pm 0.1^\circ\text{F} \pm 0.1$ digit
	Impedance	>1 M
	Pt100 Measurement	N/A
Output	Resistive	
	Inductive	7x Solid State DC Outputs for Relay or AC SSR

CH 1 SERIES HATCHER CONTROL WIRING V1.0



**CH-1 SERIES CONTROLLER
(EGG HATCH SYSTEM)
SERIES: CH1-H2 V1.0**

Updated: 01-12-15