

EGG SETTER / HATCHER CONTROLLER

KEY FEATURES

- 7S-H1 Series Controller is suitable for Egg Setter/Hatcher Oven Climate Control
- Dual Heating and One Humidity Controller
- Controller uses most Advance CPU for Monitoring and Control in micro seconds
- High / Low Heating and Sensor Alarms
- Alarm Manual Test Push
- RTD Temp. Sensor Probe Interface with 1% accuracy
- High Visibility, Large Red Segment Display with high speed flicker free scanning
- Sensor Faults Indication and Sound Buzzer
- Solid State Control No Mechanical Part
- Touch Push and Splash Proof Front
- Accurate and Highly Stable, User Friendly Operation
- Easy replacement & Installation
(Wiring included)



NOTE:
We can modify or add any function according to your machine Hardware, also modify Front sticker according to your company name and color.

MODEL: 7S-H1



MANUFACTURE AND DESIGNED BY:

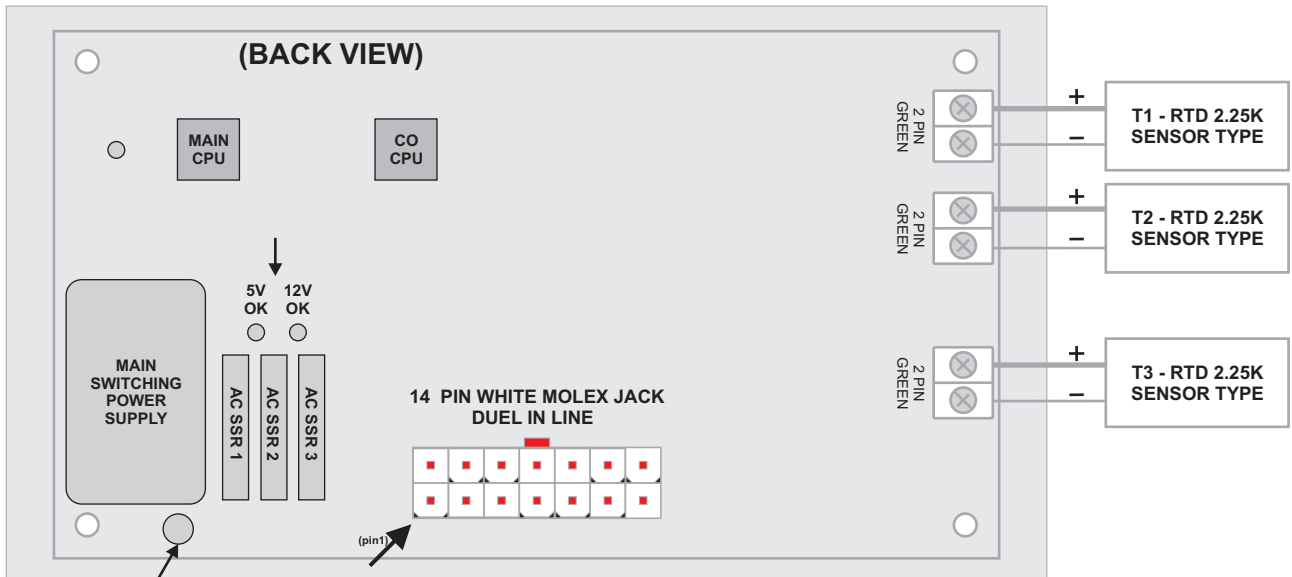


ALLIED TECHNO CONTROL SYSTEMS
JHUMRA ROAD, MANSOORABAD,
FAISALABAD, PAKISTAN-38000.
allidtechnologist@gmail.com

SPECIFICATIONS

Controller Series	7S-HTD Series	
Dimensions	200x135x55 mm , weight 900g (approx)	
Panel Cutout	7S-HTD Hole Cut Pattern # 1	
Terminal Connection	General Wiring Included	
Voltage (only control circuit)	90 to 260 VAC - 6VA maximum 50-60Hz	
Operating Environment	5 to 50°C , humidity: 10 to 85% RH, non-condensing	
Instrument Case	Flame-Retardant Circuit Board (UL94) - ABS plastic case	
Warm-up Time	< 30 Seconds	
Input	Display Resolution	0.1°F (YSI400 RTD 2.252K)
	Input Sample Rate	100 mSec
	Accuracy	RTD YSI400 Temp. Probe , 1% of span $\pm 0.1^\circ\text{F} \pm 0.1$ digit
	Impedance	>1 M
	Pt100 Measurement	N/A
Output	Resistive	Solid State DC / AC Outputs
	Inductive	

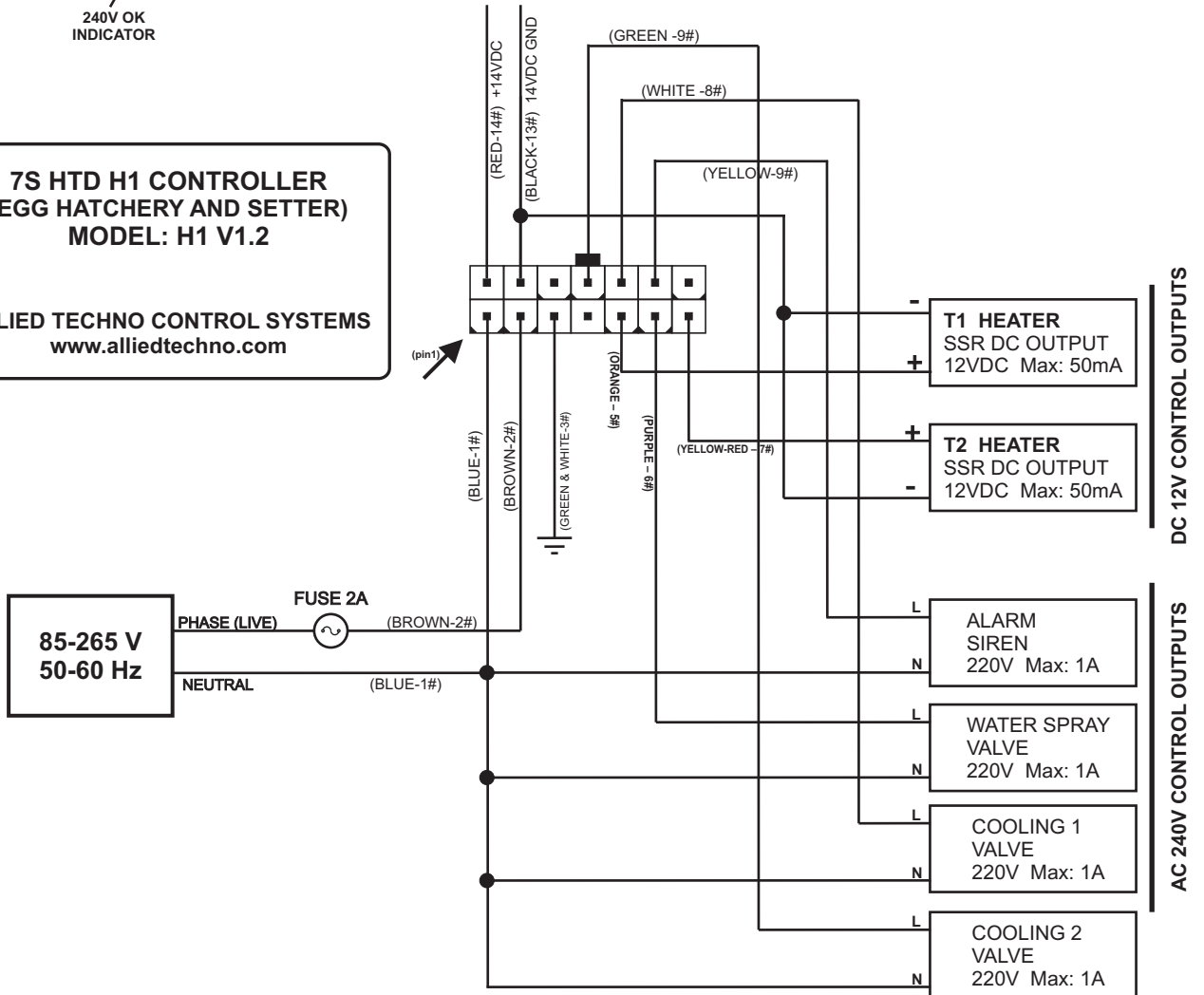
7S HTD - H1 CONTROLLER (Hatchery + Egg Setter) V1.2



240V OK INDICATOR

**7S HTD H1 CONTROLLER
(EGG HATCHERY AND SETTER)
MODEL: H1 V1.2**

ALLIED TECHNO CONTROL SYSTEMS
www.alliedtechno.com



UPDATED 15-06-15